



www.aluminumarm.com



INDEX

02-07	ALM060 SERIE
08-14	ALM090 SERIE
15	NEW PRODUCTS
16-17	CONFIGURATIONS
18-19	EASY ASSEMBLING
20	VESA MODULE
21-29	CONTROL PANELS
30	VESA MODULE



ABOUT US

ALUMINUMARM is a one of the brand of BRKKOL ALÜMİNYUM METAL ENDÜSTRİ VE TİCARET LİMİTED ŞİRKETİ located in Bursa Turkey. Managing director of ALUMINUMARM is Mustafa MESTANLI, Metallurgy and Material Engineer Bsc who experienced in aluminum industry more than 10 years.

After experience in aluminum industry at production and export departments as a manager, he decided to produce and export support arm system and control panels which has serious demand in the machinery industry.

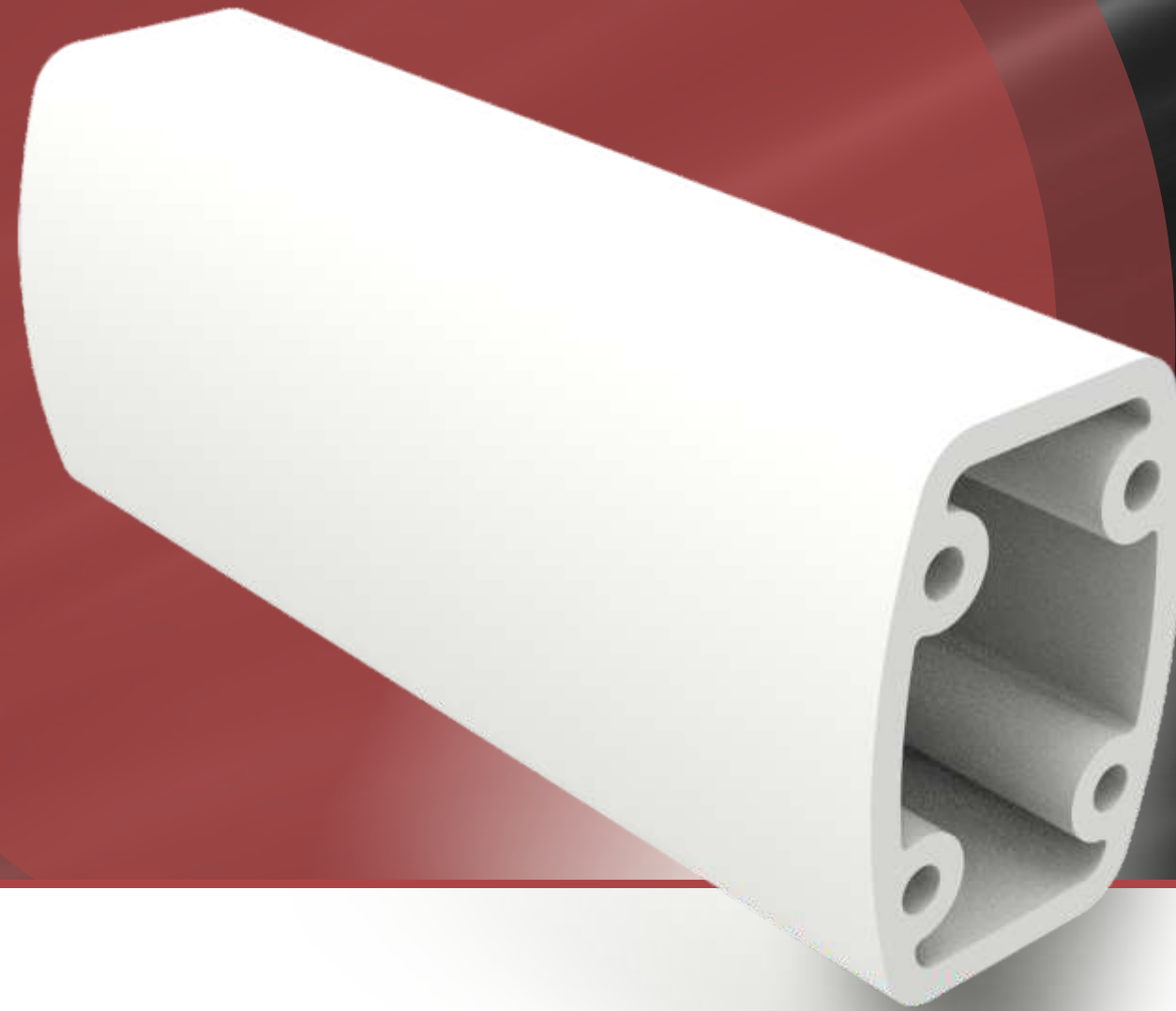
ALUMINUMARM has met the support arm and control panel needs of all sectors by carrying its years of knowledge and experience into support arm and control panel designs and manufacturing aesthetic, durability and special products for related sectors without losing its modular structure.

Our company, which operates in the support arm and control panel sector with the vision of being a company that produces products at world standards, exports its products to many countries in the world.

MISSION & VISION

MISSION: To be a world brand where customers can find everything they want to buy on support arm and panel systems

VISION: We strive to offer our customers the lowest possible prices, the best selections available, and the utmost convenience



ALM060 SERIE

Alm.6010 serie is for low/medium weight capacity. It can carry 60 kg up to 1 meter length

ALM060 SERIE

ALM060 SERIE



Product Code	Description	Weight(gr)
ALM.060.025	Support Arm 250 mm	700
ALM.060.050	Support Arm 500 mm	1400
ALM.060.075	Support Arm 750 mm	2100
ALM.060.100	Support Arm 1000 mm	2800
ALM.060.125	Support Arm 1250 mm	3500
ALM.060.150	Support Arm 1500 mm	4200
ALM.060.175	Support Arm 1750 mm	4900
ALM.060.200	Support Arm 2000 mm	5600



Product Code	Description	Weight(gr)
ALM.060.310	Top Mounted Vertical Horizontal Outlet 310°	1515



Product Code	Description	Weight(gr)
ALM.060.300	Top Mounted Joint Horizontal Outlet 310°	1785



Product Code	Description	Weight(gr)
ALM.060.320	Panel Coupling	1085

ALM060 SERIE

ALM060 SERIE



Product Code	Description	Weight(gr)
ALM.060.330	Ø105 Panel Coupling 310° 10° Sloping	1325



Product Code	Description	Weight(gr)
ALM.060.410	Wall Mounted Vertical Outlet 310°	2025



Product Code	Description	Weight(gr)
ALM.060.400	Wall Mounted Horizontal Module Outlet 325°	2295



Product Code	Description	Weight(gr)
ALM.060.500	Wall Mounting Module	470

ALM060 SERIE

ALM060 SERIE



Product Code	Description	Weight(gr)
ALM.060.510	Wall Mounting Module	530



Product Code	Description	Weight(gr)
ALM.060.610	Panel Coupling 10° Sloping	1565



Product Code	Description	Weight(gr)
ALM.060.600	Ø105 Horizontal Panel Input 310°	1245



Product Code	Description	Weight(gr)
ALM.060.620	Ø136 Vertical Panel Input 310°	875

ALM060 SERIE

ALM060 SERIE



Product Code	Description	Weight(gr)
ALM.060.630	Ø136 Vertical Panel 10° Sloping	1095



Product Code	Description	Weight(gr)
ALM.060.650	Ø105x100 Vertical Panel Coupling 10° Slopingg	660



Product Code	Description	Weight(gr)
ALM.060.640	Ø105 Panel Coupling Non Rotatable	420



Product Code	Description	Weight(gr)
ALM.060.700	Rotatable Wall-Mounted Hinge Horizontal Outlet 310°	1945

ALM060 SERIE

ALM060 SERIE



Product Code	Description	Weight(gr)
ALM.060.710	Rotatable Wall-Mounted Hinge Vertical Outlet 310°	1595



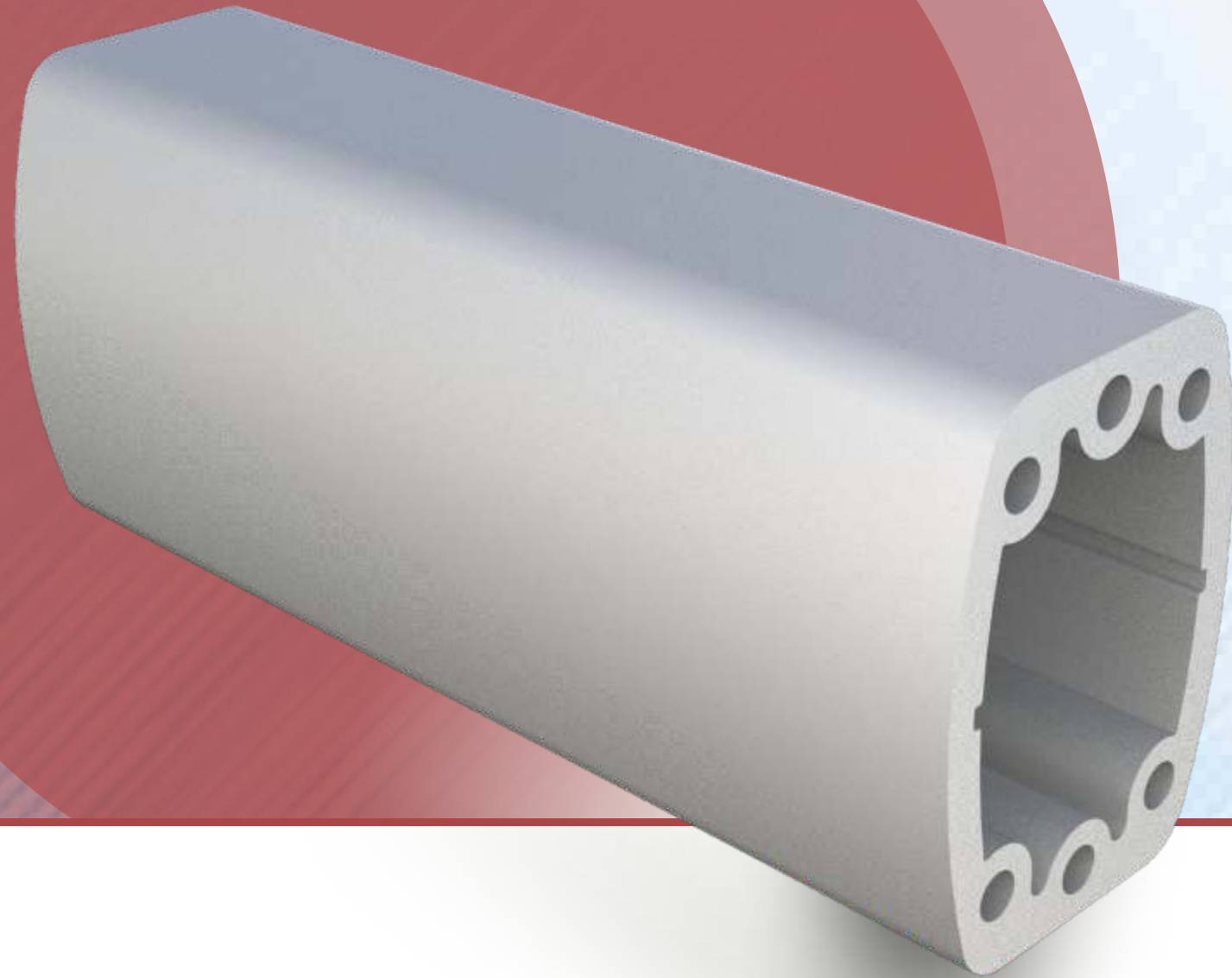
Product Code	Description	Weight(gr)
ALM.060.800	Ø105x100 Panel Coupling 10° Sloping	340



Product Code	Description	Weight(gr)
ALM.060.720	Vertical Inter Flange Module 310°	1285



Product Code	Description	Weight(gr)
ALM.060.900	Elbow Apparatus 90°	450



ALM090 SERIE

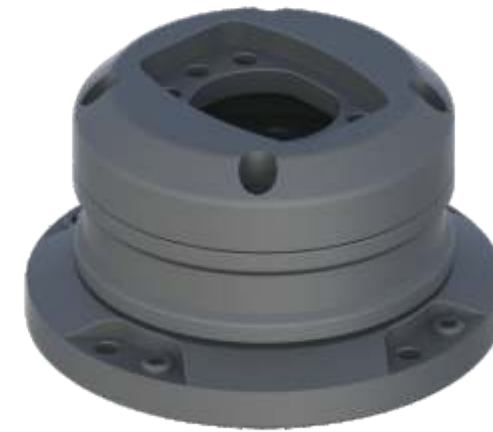
Alm.9010 serie is for heavy weight capacity. It can carry
120 kg up to 1 meter length

ALM090 SERIE

ALM090 SERIE



Product Code	Description	Weight(gr)
ALM.090.025	Support Arm 250 mm	1350
ALM.090.050	Support Arm 500 mm	2700
ALM.090.075	Support Arm 750 mm	4050
ALM.090.100	Support Arm 1000 mm	5400
ALM.090.125	Support Arm 1250 mm	6750
ALM.090.150	Support Arm 1500 mm	8100
ALM.090.175	Support Arm 1750 mm	9450
ALM.090.200	Support Arm 2000 mm	10800



Product Code	Description	Weight(gr)
ALM.060.310	Top Mounted Vertical Horizontal Outlet 310°	2800



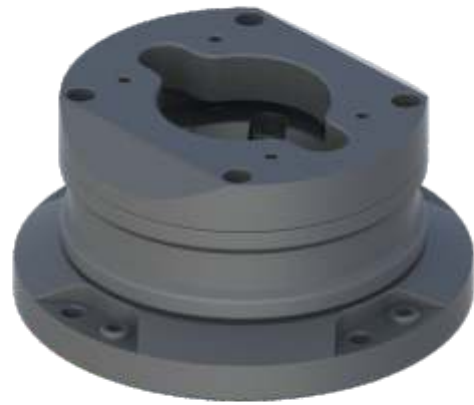
Product Code	Description	Weight(gr)
ALM.090.300	Top Mounted Joint Horizontal Outlet 310°	3550



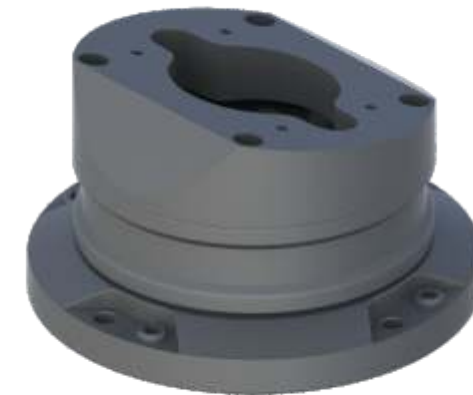
Product Code	Description	Weight(gr)
ALM.060.320	Panel Coupling	2100

ALM090 SERIE

ALM090 SERIE



Product Code	Description	Weight(gr)
ALM.090.330	Top Mounted Machine and Ø136x100 Panel Flange Module 325°	2610



Product Code	Description	Weight(gr)
ALM.090.400	Wall Mounted Module Horizontal 325°	4530



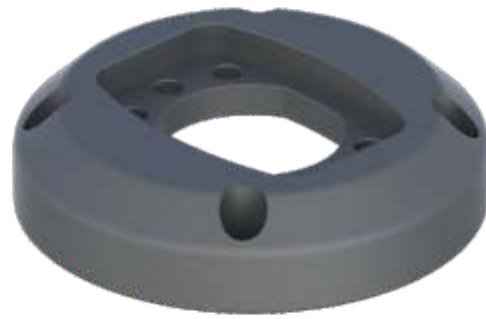
Product Code	Description	Weight(gr)
ALM.090.340	Top Mounted Machine and Ø136x100 Panel Flange Module 325° 10° Sloping	2760



Product Code	Description	Weight(gr)
ALM.090.410	Wall Mounted Module Vertical 325°	3780

ALM090 SERIE

ALM090 SERIE



Product Code	Description	Weight(gr)
ALM.090.500	Wall Mounted Vertical 325°	805



Product Code	Description	Weight(gr)
ALM.090.610	Ø136x100 Horizontal Panel Input 325°	2960



Product Code	Description	Weight(gr)
ALM.090.600	Ø136 Horizontal Panel Input 325°	2450



Product Code	Description	Weight(gr)
ALM.090.620	Ø136x100 Horizontal Panel Input 325° 10° Sloping	3110

ALM090 SERIE

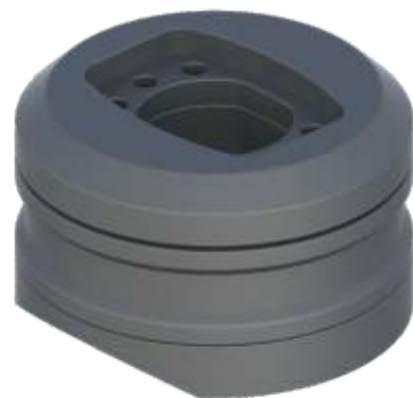
ALM090 SERIE



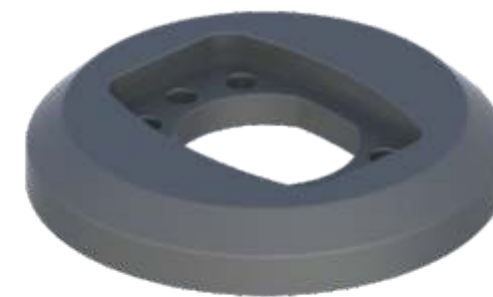
Product Code	Description	Weight(gr)
ALM.090.630	Ø136 Vertical Panel Input 310°	1570



Product Code	Description	Weight(gr)
ALM.090.650	Ø136x100 Vertical Panel Input 310° 10° Sloping	2230



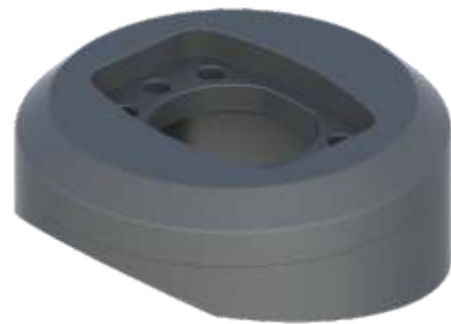
Product Code	Description	Weight(gr)
ALM.090.640	Ø136x100 Vertical Panel Input 325°	2080



Product Code	Description	Weight(gr)
ALM.090.660	Ø136 Vertical Panel Input Apparatus	1200

ALM090 SERIE

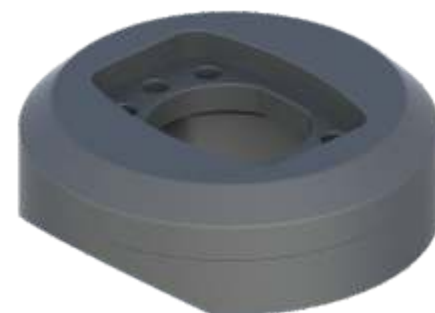
ALM090 SERIE



Product Code	Description	Weight(gr)
ALM.090.670	Ø136 Vertical Panel Input Apparatus	1350

Product Code	Description	Weight(gr)
ALM.090.700	Rotatable Wall-Mounted Hinge Horizontal Outlet 310°	3905

Product Code	Description	Weight(gr)
ALM.090.710	Rotatable Wall- Mounted Hinge Vertical Outlet 310°	3075



Product Code	Description	Weight(gr)
ALM.090.680	Ø136x100 Vertical Panel Input Apparatus 10° Sloping	1380

Product Code	Description	Weight(gr)
ALM.090.720	Vertical Liner Flange Module 325°	2325

ALM090 SERIE

ALM090 SERIE



Product Code	Description	Weight(gr)
ALM.090.800	Ø136x100 Panel Flange Apparatus	610

Product Code	Description	Weight(gr)
ALM.090.820	BELLOW	680

Product Code	Description	Weight(gr)
ALM.090.900	ELBOW Apparatus 90°	930



Product Code	Description	Weight(gr)
ALM.090.810	Ø136x100 Pane Flange Apparatus 10° Sloping	760

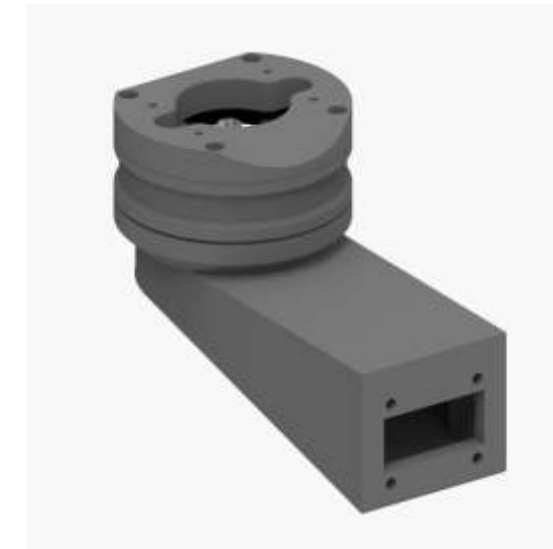
Product Code	Description	Weight(gr)
ALM.090.901	ELBOW Apparatus 90°	1020

ALM090 SERIE

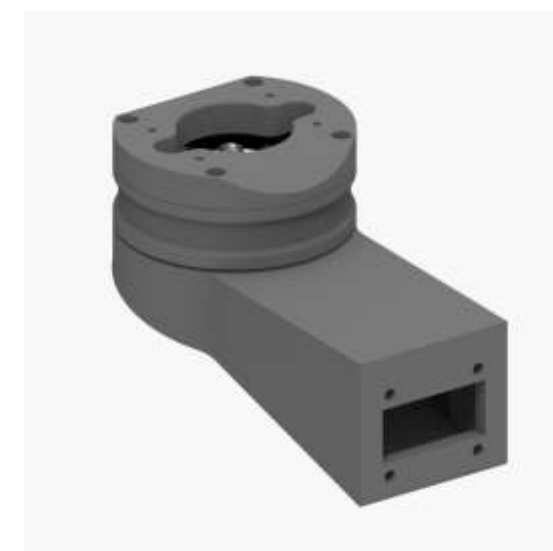
ALM090 SERIE



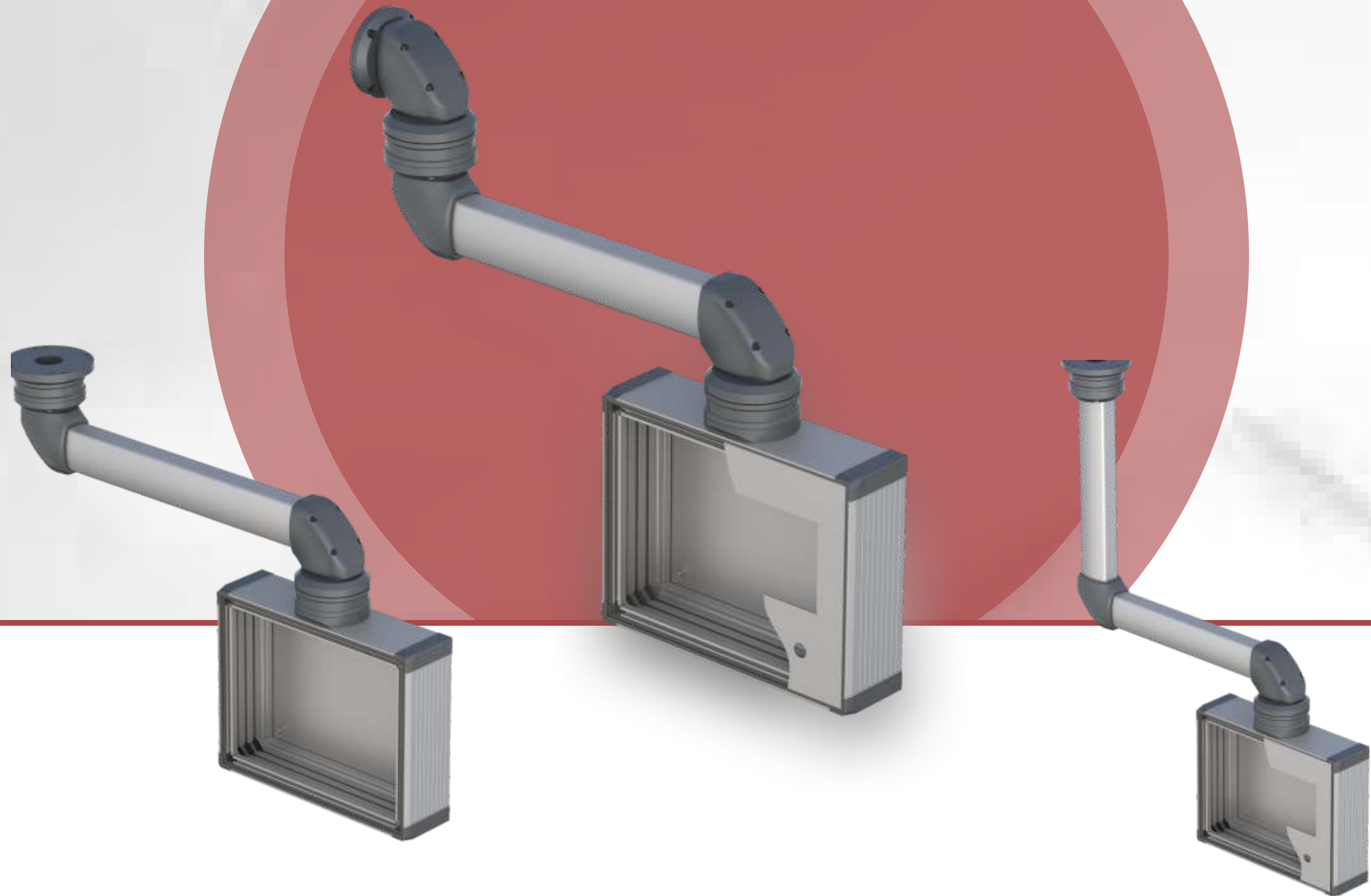
Product Code	Description	Weight(gr)
ALM.060.250	ALM60 Pivot System	2400



Product Code	Description	Weight(gr)
ALM.090.250	ALM90 Pivot System	3500



Product Code	Description	Weight(gr)
ALM.090.251	ALM90 Pivot System	3500



CONFIGURATIONS

CONFIGURATIONS

CONFIGURATIONS



CONFIGURATION



ALM060

EASY ASSEMBLING



ALM090

EASY ASSEMBLING



VESA MODULE

Vesa module ensure hmi to be assembled support arm directly

CONTROL PANELS



INSTALLATION AREA			Number of Handle	Type of rear panel		Product Code
Width	Height	Depth		Hinge	Secrew	
250	250	120	Without	Yes		ALM.120.0000
300	250	120	Without	Yes		ALM.120.0001
250	300	120	Without	Yes		ALM.120.0002
300	300	120	Without	Yes		ALM.120.0003
350	300	120	Without	Yes		ALM.120.0004
300	350	120	Without	Yes		ALM.120.0005
350	350	120	Without	Yes		ALM.120.0006
400	350	120	Without	Yes		ALM.120.0007
350	400	120	Without	Yes		ALM.120.0008
400	400	120	Without	Yes		ALM.120.0009
450	400	120	Without	Yes		ALM.120.0010
400	450	120	Without	Yes		ALM.120.0011
450	450	120	Without	Yes		ALM.120.0012
500	450	120	Without	Yes		ALM.120.0013
450	500	120	Without	Yes		ALM.120.0014
500	500	120	Without	Yes		ALM.120.0015



CONTROL PANELS

INSTALLATION AREA			Number of Handle	Type of rear panel		Product Code
Width	Height	Depth		Hinge	Secrew	
250	250	120	Without		Yes	ALM.121.0000
300	250	120	Without		Yes	ALM.121.0001
250	300	120	Without		Yes	ALM.121.0002
300	300	120	Without		Yes	ALM.121.0003
350	300	120	Without		Yes	ALM.121.0004
300	350	120	Without		Yes	ALM.121.0005
350	350	120	Without		Yes	ALM.121.0006
400	350	120	Without		Yes	ALM.121.0007
350	400	120	Without		Yes	ALM.121.0008
400	400	120	Without		Yes	ALM.121.0009
450	400	120	Without		Yes	ALM.121.0010
400	450	120	Without		Yes	ALM.121.0011
450	450	120	Without		Yes	ALM.121.0012
500	450	120	Without		Yes	ALM.121.0013
450	500	120	Without		Yes	ALM.121.0014
500	500	120	Without		Yes	ALM.121.0015

CONTROL PANELS



INSTALLATION AREA			Number of Handle	Type of rear panel		Product Code
Width	Height	Depth		Hinge	Secrew	
250	250	120	One	Yes		ALM.120.1000
300	250	120	One	Yes		ALM.120.1001
250	300	120	One	Yes		ALM.120.1002
300	300	120	One	Yes		ALM.120.1003
350	300	120	One	Yes		ALM.120.1004
300	350	120	One	Yes		ALM.120.1005
350	350	120	One	Yes		ALM.120.1006
400	350	120	One	Yes		ALM.120.1007
350	400	120	One	Yes		ALM.120.1008
400	400	120	One	Yes		ALM.120.1009
450	400	120	One	Yes		ALM.120.1010
400	450	120	One	Yes		ALM.120.1011
450	450	120	One	Yes		ALM.120.1012
500	450	120	One	Yes		ALM.120.1013
450	500	120	One	Yes		ALM.120.1014
500	500	120	One	Yes		ALM.120.1015

CONTROL PANELS



INSTALLATION AREA			Number of Handle	Type of rear panel		Product Code
Width	Height	Depth		Hinge	Secrew	
250	250	120	One		Yes	ALM.121.1000
300	250	120	One		Yes	ALM.121.1001
250	300	120	One		Yes	ALM.121.1002
300	300	120	One		Yes	ALM.121.1003
350	300	120	One		Yes	ALM.121.1004
300	350	120	One		Yes	ALM.121.1005
350	350	120	One		Yes	ALM.121.1006
400	350	120	One		Yes	ALM.121.1007
350	400	120	One		Yes	ALM.121.1008
400	400	120	One		Yes	ALM.121.1009
450	400	120	One		Yes	ALM.121.1010
400	450	120	One		Yes	ALM.121.1011
450	450	120	One		Yes	ALM.121.1012
500	450	120	One		Yes	ALM.121.1013
450	500	120	One		Yes	ALM.121.1014
500	500	120	One		Yes	ALM.120.1015

CONTROL PANELS



INSTALLATION AREA			Number of Handle	Type of rear panel		Product Code
Width	Height	Depth		Hinge	Secrew	
250	250	120	Two	Yes		ALM.120.2000
300	250	120	Two	Yes		ALM.120.2001
250	300	120	Two	Yes		ALM.120.2002
300	300	120	Two	Yes		ALM.120.2003
350	300	120	Two	Yes		ALM.120.2004
300	350	120	Two	Yes		ALM.120.2005
350	350	120	Two	Yes		ALM.120.2006
400	350	120	Two	Yes		ALM.120.2007
350	400	120	Two	Yes		ALM.120.2008
400	400	120	Two	Yes		ALM.120.2009
450	400	120	Two	Yes		ALM.120.2010
400	450	120	Two	Yes		ALM.120.2011
450	450	120	Two	Yes		ALM.120.2012
500	450	120	Two	Yes		ALM.120.2013
450	500	120	Two	Yes		ALM.120.2014
500	500	120	Two	Yes		ALM.120.2015

CONTROL PANELS



INSTALLATION AREA			Number of Handle	Type of rear panel		Product Code
Width	Height	Depth		Hinge	Secrew	
250	250	120	Two		Yes	ALM.121.2000
300	250	120	Two		Yes	ALM.121.2001
250	300	120	Two		Yes	ALM.121.2002
300	300	120	Two		Yes	ALM.121.2003
350	300	120	Two		Yes	ALM.121.2004
300	350	120	Two		Yes	ALM.121.2005
350	350	120	Two		Yes	ALM.121.2006
400	350	120	Two		Yes	ALM.121.2007
350	400	120	Two		Yes	ALM.121.2008
400	400	120	Two		Yes	ALM.121.2009
450	400	120	Two		Yes	ALM.121.2010
400	450	120	Two		Yes	ALM.121.2011
450	450	120	Two		Yes	ALM.121.2012
500	450	120	Two		Yes	ALM.121.2013
450	500	120	Two		Yes	ALM.121.2014
500	500	120	Two		Yes	ALM.120.2015

CONTROL PANELS



INSTALLATION AREA			Number of Handle	Type of rear panel		Product Code
Width	Height	Depth		Hinge	Secrew	
250	250	240	Without	Yes		ALM.1212.0000
300	250	240	Without	Yes		ALM.1212.0001
250	300	240	Without	Yes		ALM.1212.0002
300	300	240	Without	Yes		ALM.1212.0003
350	300	240	Without	Yes		ALM.1212.0004
300	350	240	Without	Yes		ALM.1212.0005
350	350	240	Without	Yes		ALM.1212.0006
400	350	240	Without	Yes		ALM.1212.0007
350	400	240	Without	Yes		ALM.1212.0008
400	400	240	Without	Yes		ALM.1212.0009
450	400	240	Without	Yes		ALM.1212.0010
400	450	240	Without	Yes		ALM.1212.0011
450	450	240	Without	Yes		ALM.1212.0012
500	450	240	Without	Yes		ALM.1212.0013
450	500	240	Without	Yes		ALM.1212.0014
500	500	240	Without	Yes		ALM.1212.0015

CONTROL PANELS



INSTALLATION AREA			Number of Handle	Type of rear panel		Product Code
Width	Height	Depth		Hinge	Secrew	
250	250	240	One	Yes		ALM.1212.1000
300	250	240	One	Yes		ALM.1212.1001
250	300	240	One	Yes		ALM.1212.1002
300	300	240	One	Yes		ALM.1212.1003
350	300	240	One	Yes		ALM.1212.1004
300	350	240	One	Yes		ALM.1212.1005
350	350	240	One	Yes		ALM.1212.1006
400	350	240	One	Yes		ALM.1212.1007
350	400	240	One	Yes		ALM.1212.1008
400	400	240	One	Yes		ALM.1212.1009
450	400	240	One	Yes		ALM.1212.1010
400	450	240	One	Yes		ALM.1212.1011
450	450	240	One	Yes		ALM.1212.1012
500	450	240	One	Yes		ALM.1212.1013
450	500	240	One	Yes		ALM.1212.1014
500	500	240	One	Yes		ALM.1212.1015

CONTROL PANELS



INSTALLATION AREA			Number of Handle	Type of rear panel		Product Code
Width	Height	Depth		Hinge	Secrew	
250	250	240	Two	Yes		ALM.1212.2000
300	250	240	Two	Yes		ALM.1212.2001
250	300	240	Two	Yes		ALM.1212.2002
300	300	240	Two	Yes		ALM.1212.2003
350	300	240	Two	Yes		ALM.1212.2004
300	350	240	Two	Yes		ALM.1212.2005
350	350	240	Two	Yes		ALM.1212.2006
400	350	240	Two	Yes		ALM.1212.2007
350	400	240	Two	Yes		ALM.1212.2008
400	400	240	Two	Yes		ALM.1212.2009
450	400	240	Two	Yes		ALM.1212.2010
400	450	240	Two	Yes		ALM.1212.2011
450	450	240	Two	Yes		ALM.1212.2012
500	450	240	Two	Yes		ALM.1212.2013
450	500	240	Two	Yes		ALM.1212.2014
500	500	240	Two	Yes		ALM.1212.2015



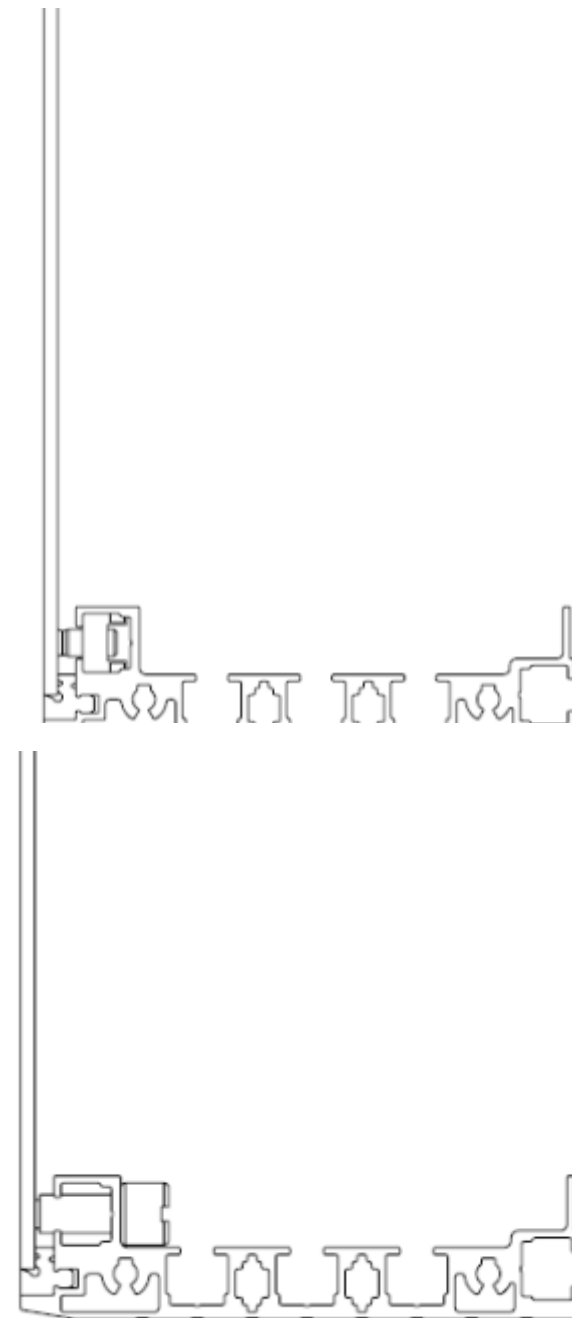
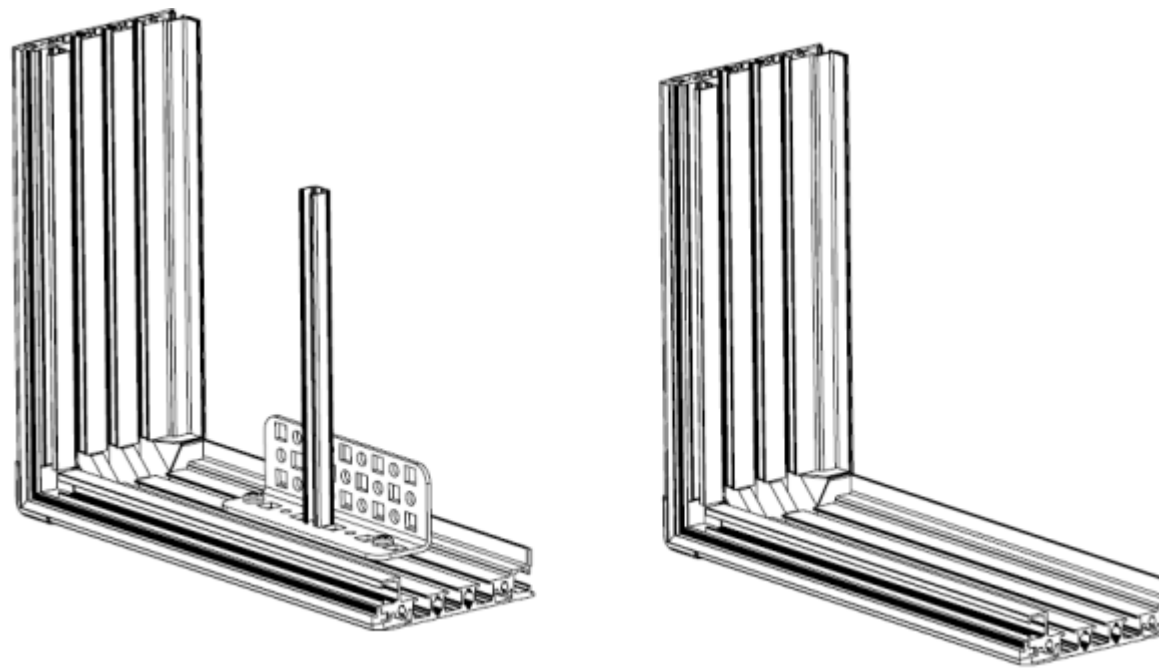
PANEL WITH KEYBOARD

INSTALLATION AREA			Number of Handle	Type of rear panel		Product Code
Width	Height	Depth		Hinge	Secrew	
250	250	120	Upon Request	Yes		ALM.1212.3000
300	250	120	Upon Request	Yes		ALM.1212.3001
250	300	120	Upon Request	Yes		ALM.1212.3002
300	300	120	Upon Request	Yes		ALM.1212.3003
350	300	120	Upon Request	Yes		ALM.1212.3004
300	350	120	Upon Request	Yes		ALM.1212.3005
350	350	120	Upon Request	Yes		ALM.1212.3006
400	350	120	Upon Request	Yes		ALM.1212.3007
350	400	120	Upon Request	Yes		ALM.1212.3008
400	400	120	Upon Request	Yes		ALM.1212.3009
450	400	120	Upon Request	Yes		ALM.1212.3010
400	450	120	Upon Request	Yes		ALM.1212.3011
450	450	120	Upon Request	Yes		ALM.1212.3012
500	450	120	Upon Request	Yes		ALM.1212.3013
450	500	120	Upon Request	Yes		ALM.1212.3014
500	500	120	Upon Request	Yes		ALM.1212.3015

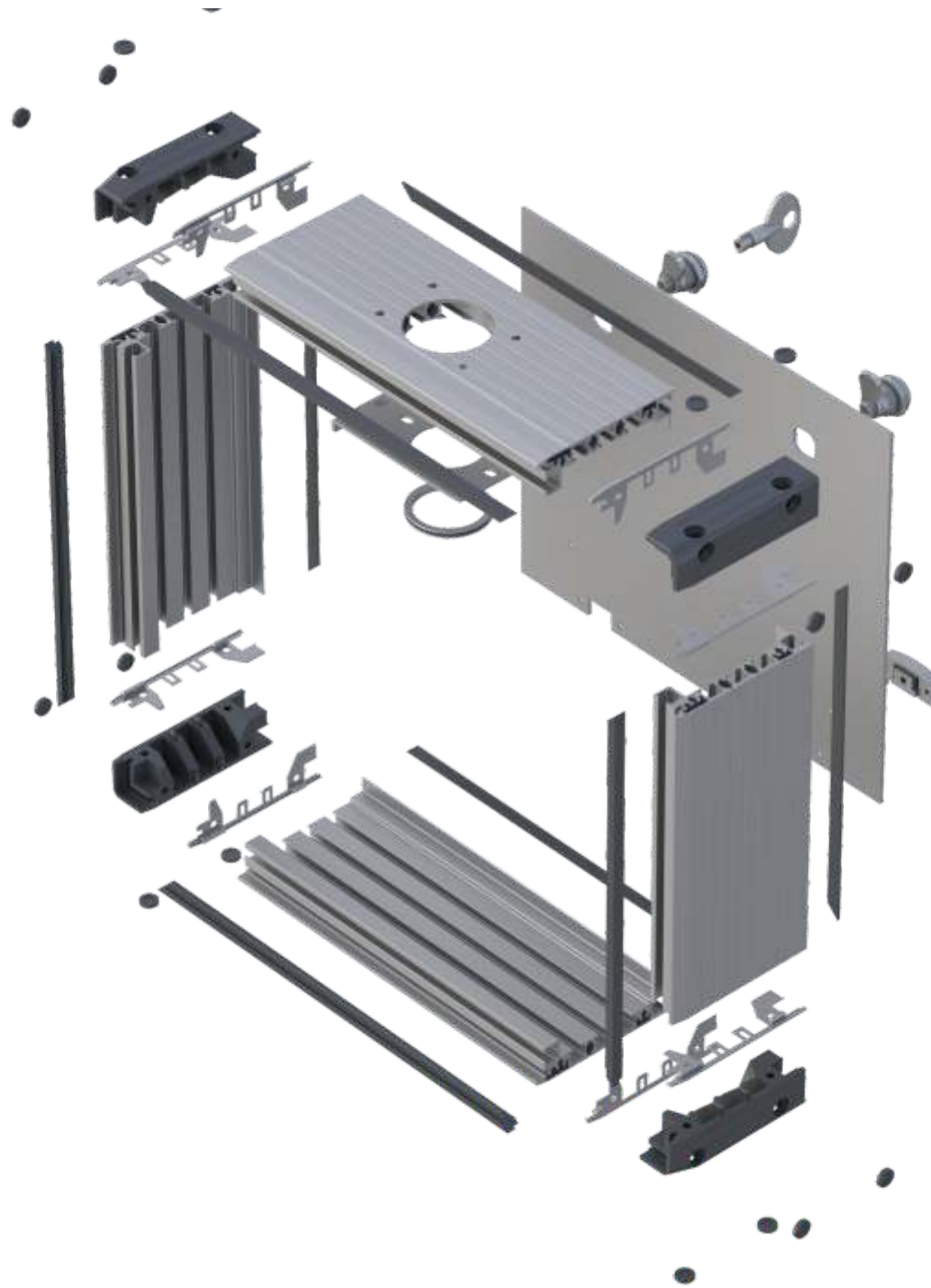
** Keyboard dimensions: Depth:120 mm Height:250 mm Width: Same as panel width. For different dimensions, please contact Sales Department

FRONT SHEET ASSEMBLING

FRONT SHEET ASSEMBLING



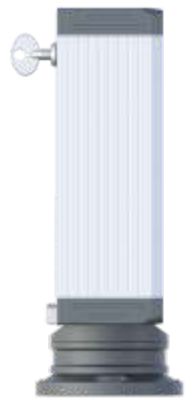
FRONT SHEET ASSEMBLING



PANEL ACCESORIES

DESKTOP CONFIGURATIONS

DESKTOP CONFIGURATIONS



DESKTOP CONFIGURATIONS



KIOSK SYSTEM



ALUMINUM
Support Arm and Panel Systems

BRKKOL ALÜMİNYUM METAL ENDÜSTRİ VE TİCARET LTD.STİ
ALTINŞEHİR MAH. 163.(280) SK. B BLOK NO: 11B İÇ KAPI NO: 99 NİLÜFER / BURSA/TURKEY

PHONE:+90 224 334 1289
info@aluminumarm.com

www.aluminumarm.com